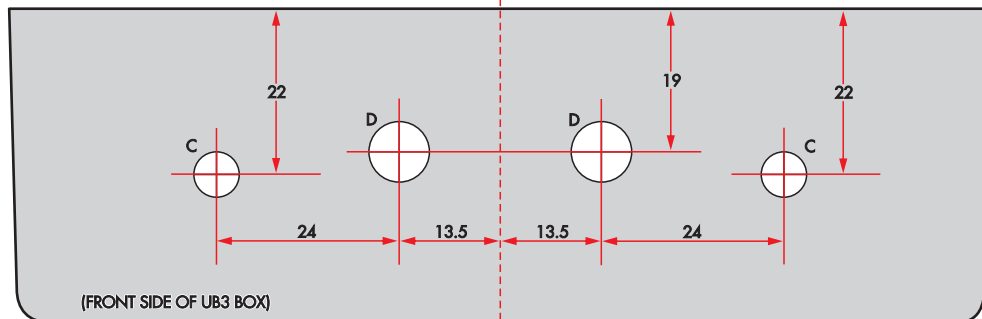


HOLE SIZES: HOLE A 6.5mm DIAM, HOLES B 3.0mm DIAM £ HOLES C 6.0mm DIAM, HOLES D 8.0mm DIAM



ALL DIMENSIONS IN MILLIMETRES