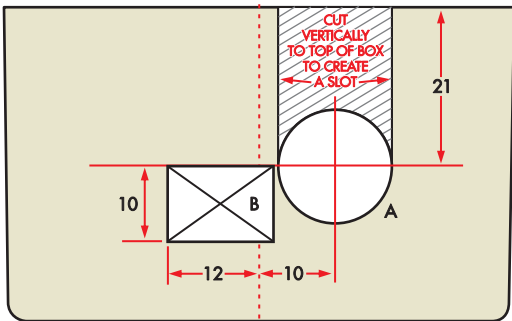
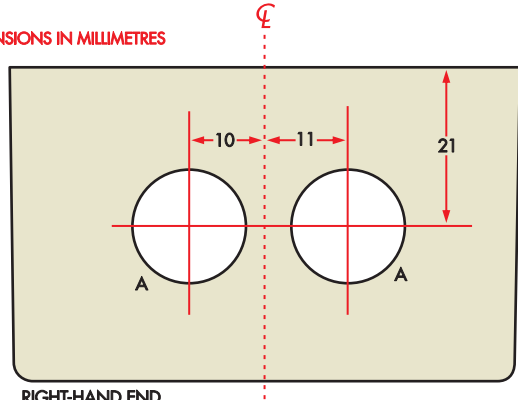


LEFT-HAND END (When using a mini USB socket)



LEFT-HAND END (When using a micro USB socket)

ALL DIMENSIONS IN MILLIMETRES



RIGHT-HAND END

HOLES A: 15mm IN DIAMETER

HOLES B: 10 x 14mm (RECTANGULAR)