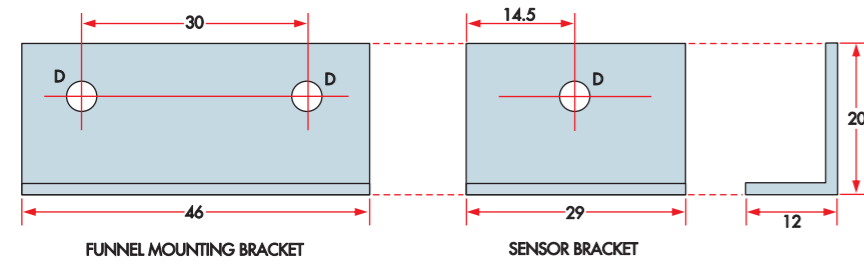
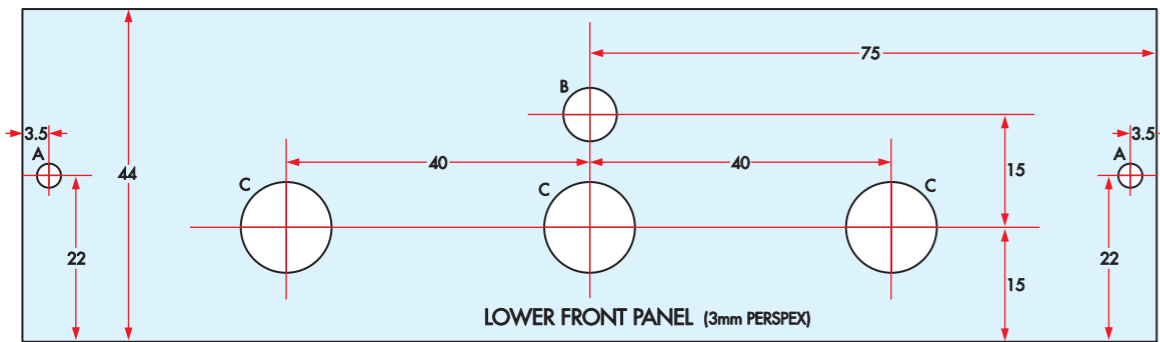


ALL DIMENSIONS
IN MILLIMETRES

HOLES A: 3.0mm DIA.
HOLE B: 7.0mm DIA.
HOLES C: 12.0mm DIA.
HOLES D: 4.0mm DIA.



ALTERNATIVE ONE PIECE
FRONT PANEL

MADE BY BENDING A SINGLE
150 x 123mm PIECE OF
3mm THICK PERSPEX
(AFTER HEATING CAREFULLY
- SEE TEXT)

